

FULGOR MILANO

Washing



FDW 8214	built-in under top
EAN CODE	8019801010554

FDW 8214

Built-in XL dishwasher

- Width 60 cm
- Totally hidden, under-top installation
- 14 place settings *
- Sensor commands with display on the top of the door

Comfort

- iVario basket system with handle
- Load up to 31-cm ø pots and pans
- Preparation for multi-tablet detergents
- Salt and rinse aid recharge indicator
- Possibility of a hot water hook-up (max 70 °C): reduces electricity consumption by 40%
- Water softener up to 10 levels
- Front adjust of feet height

Programs

- 10 programs
- Delayed start ½ to 24 hours

Special programs

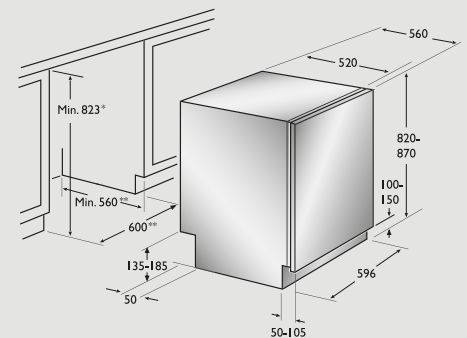
- Auto
- Load Sensor
- ENHANCED WASHING
- Aqua7
- Drying

Safety

- Protection against water leaks
- Water level sensors
- Appliance locking system

Features

- Energy-efficiency class: A+
- Drying class: A
- Sound emission Issue 46 dB (A) re1pW
- Annual electricity consumption: 295 kWh
- Annual water consumption: 2990 l



* Con dado e sistema di protezione a scorrimento montato
** Dimensioni raccomandate



TECHNICAL SUPPORT DEPARTMENT
199 151 195



FULGOR MILANO®
Meneghetti S.p.a. Via Borgo Lunardon, 8 • 36027 Rosà (Vicenza) - Italy
Tel. Direzione commerciale +39 0331 723385

<http://www.fulgor-milano.com>
e-mail: info@fulgor-milano.com